

Second Generation WorldSID Ribeye DAS Interface Cable Options

Boxboro Systems provides several cable options to connect the Second Generation WorldSID RibEye controller (Models 50005, 60005) to the customer's equipment to get power, trigger, and Ethernet connections. You must specify the cable option you need when ordering the RibEye. One exit/extension cable set is included with the RibEye. Contact Boxboro Systems if you need a different cable than the options shown below.

For customers with DTS TDAS G5 or Slice in-dummy DAS with external DTS Distributor (see Figure 1)

Exit cable #70110 connects to the RibEye controller at one end and to an extension cable #70200 at the other end. This cable set uses the RibEye high-impedance trigger input compatible with the DTS trigger output.

For customers with Kistler NXT32 in-dummy DAS (see Figure 2)

Exit cable #70115 connects to the RibEye controller at one end and at the other end, to the last NXT32 module in the chain of modules in the dummy. This cable uses the RibEye opto-isolated trigger input compatible with the Kistler CrashLink trigger.

For customers with other types of internal or external DAS (see Figure 3)

Exit cable #70120 connects to the RibEye controller at one end and to a breakout cable #70201 at the other end. The breakout cable is terminated in pigtailed for power, opto-isolated trigger, and an armed output. The Ethernet connection is a standard RJ45 plug for connecting to an Ethernet hub/switch. With this cable the RibEye software trigger setting depends on how the external switch is configured.

For customers with Kyowa DAS with external DIS-61A Junction Unit (see Figure 4)

Exit cable #70120 connects the RibEye controller at one end to a #70209 extension cable at the other end. The extension cable plugs into a Kyowa DIS-61A Junction unit, and has pigtailed for an external power connection.

For customers with Kistler External KiHub or KiDau (see Figure 5)

Exit cable #70125 connects the RibEye controller at one end to extension cable #70208 at the other end. The #70208 cable plugs into a KiHub or KiDau..

For customers with Kistler External DTI Hub (see Figure 6)

Exit cable #70125 connects the RibEye controller at one end to extension cable #70218 at the other end. The #70218 cable plugs into a DTI Hub.

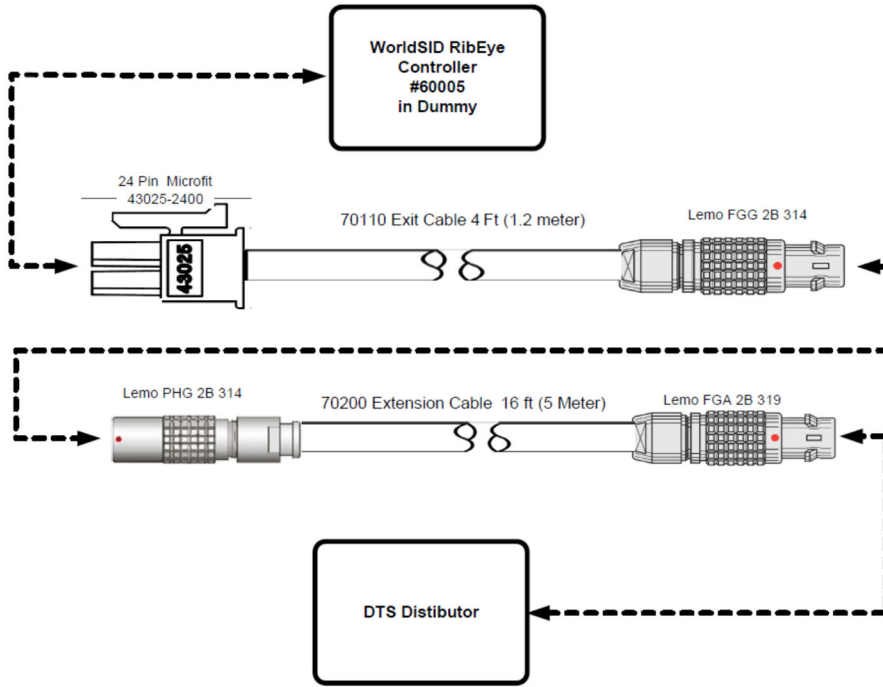


Figure 1. Cable option for DTS DAS – exit cable #70110 and extension cable #70200

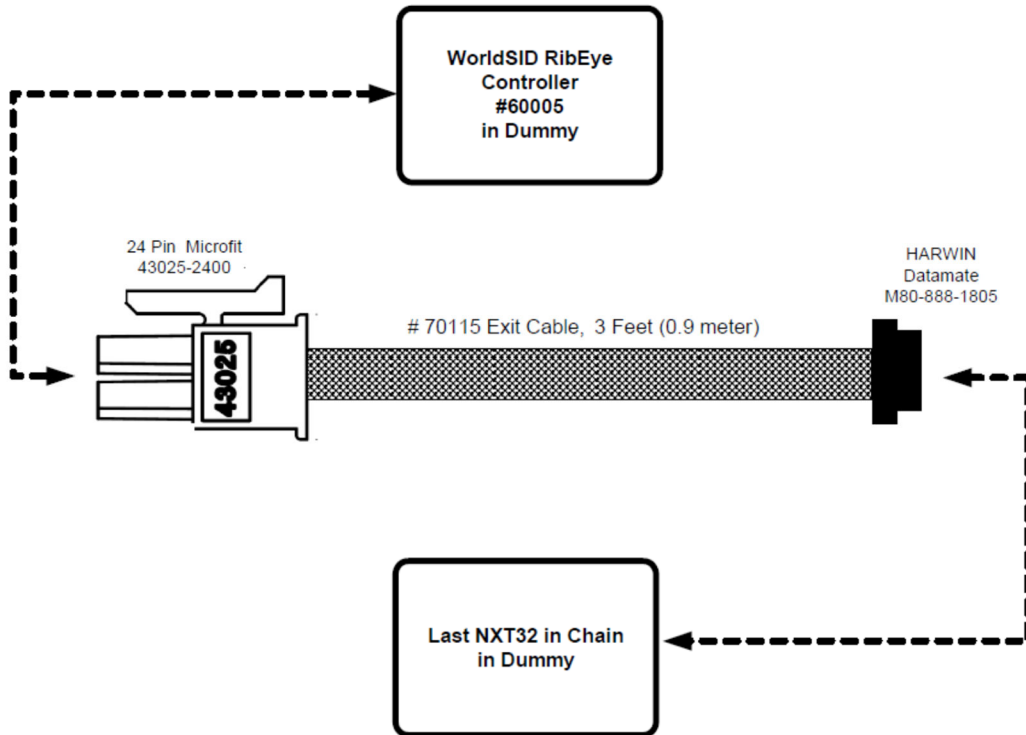


Figure 2. Cable option for Kistler NXT32 DAS – exit cable #70115

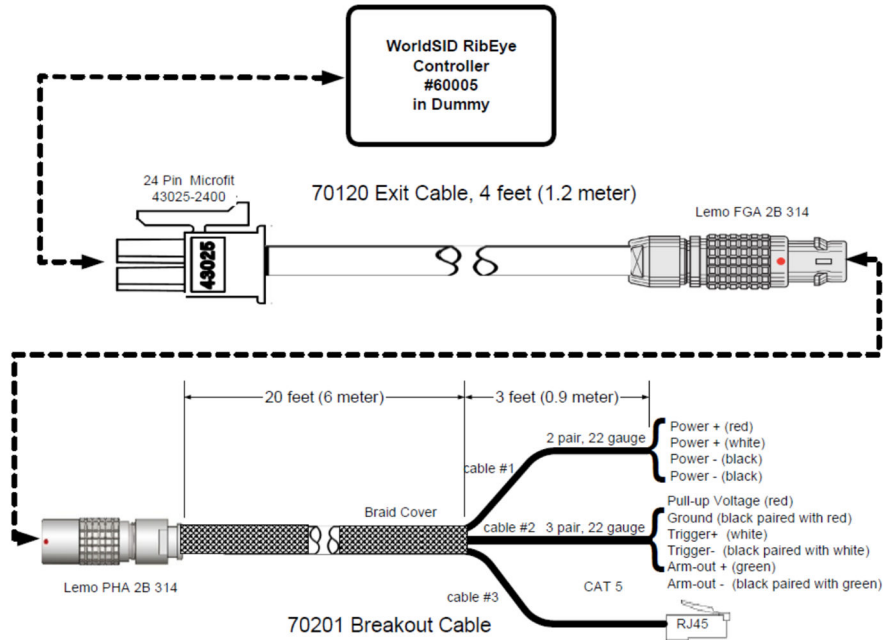


Figure 3. Cable option for generic DAS with exit and breakout cables – exit cable #70120 and breakout cable #70201 with opto isolated trigger input and armed output

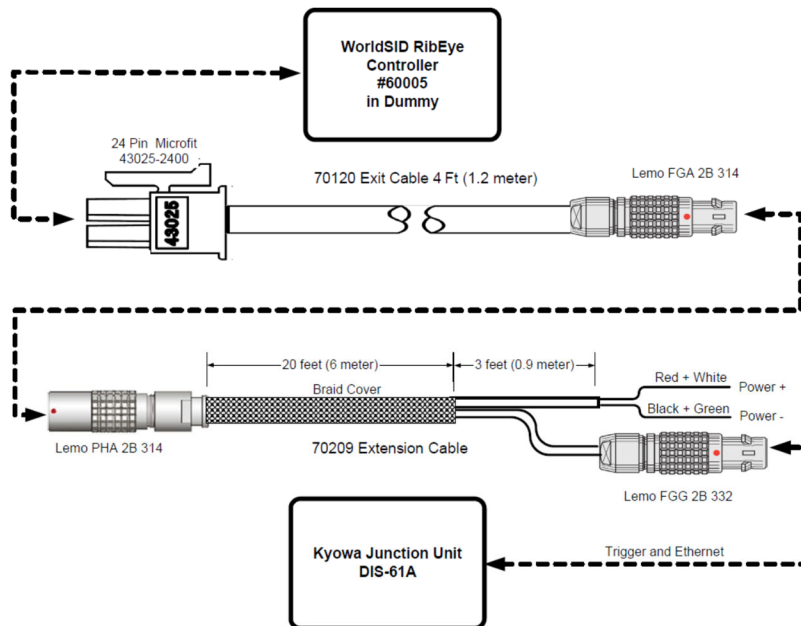


Figure 4. Cable option for Kyowa DAS – exit cable #70120 and extension cable #70209

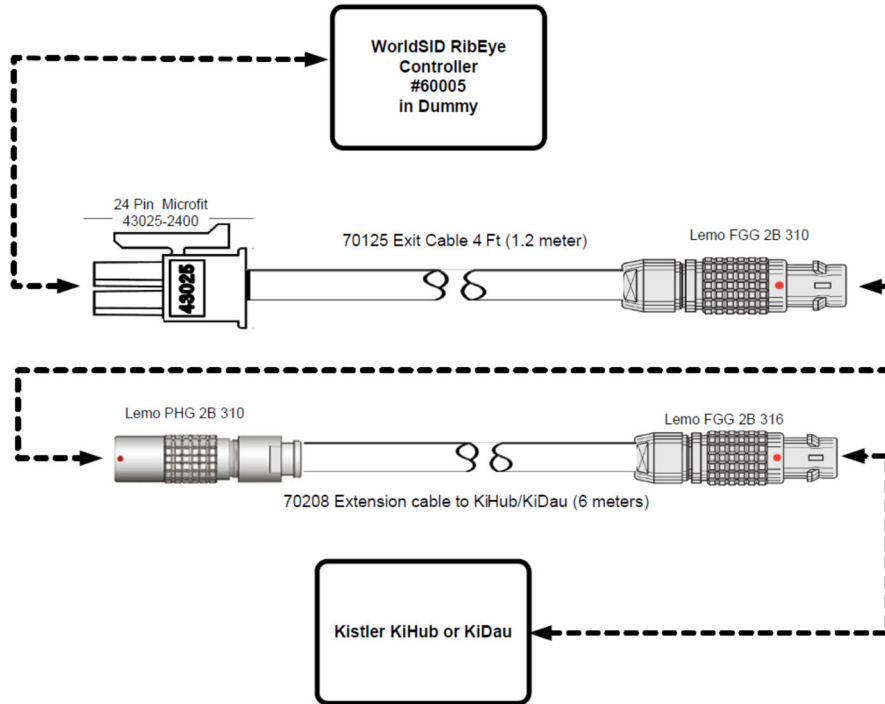


Figure 5. Cable option for Kistler KiHub/KiDau DAS – exit cable #70125 and extension cable #70208

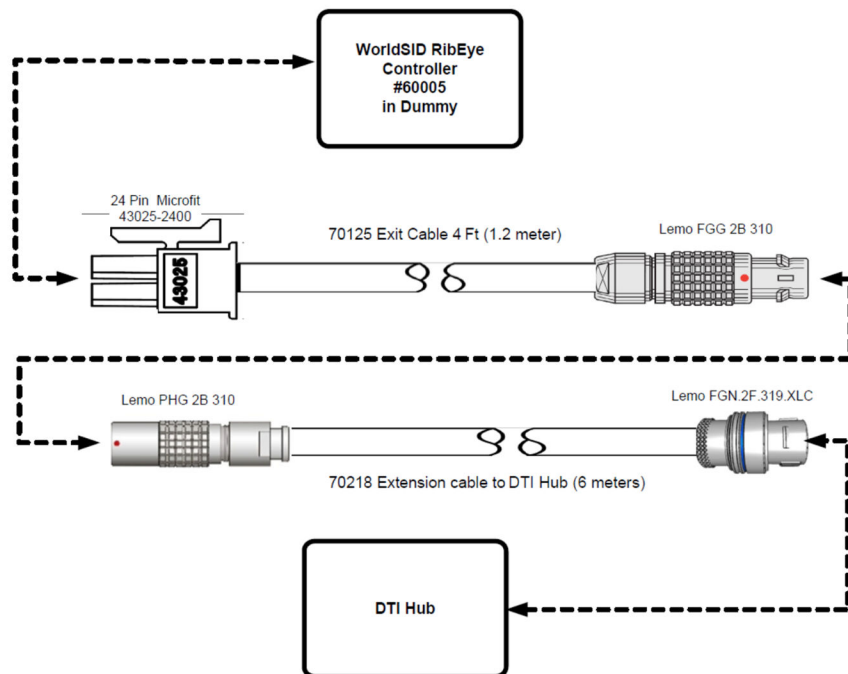


Figure 6. Cable option for Kistler DTI DAS HUB – exit cable #70125 and extension cable #70218